

YIFAN



VI 系列立式冲击破碎机

VI Series Vertical Shaft Impact Crusher

Leading crushing and screening equipment manufacturer in China

中国领先的破碎筛分设备制造商

郑州一帆机械设备有限公司(由山德技术(北京)有限公司控股),是中国知名的破碎筛分设备制造商。我们为客户提供全系列破碎筛分设备,包括 液压圆锥破碎机、颚式破碎机、反击式破碎机、立式冲击破碎机(制砂机)、移动式破碎站和振动筛,我们不仅为客户提供高性价比的产品,还提供一流的服务支持及解决方案。



YIFAN

郑州一帆机械设备有限公司

ZHENGZHOU YIFAN MACHINERY CO.,LTD

服务热线: 400-665-6688 0371-64627000 64989888

网址: www.yfmac.com

地址: 中国郑州荥阳开发区郑源路

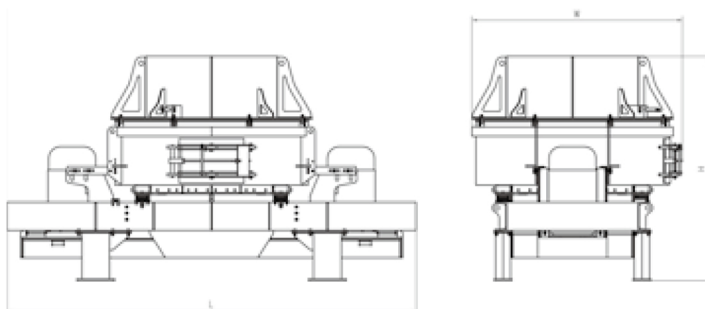


VI系列立式冲击破碎机是我公司吸收德国先进技术研制并生产的、具有国际先进水平的高性能制砂设备。该机能“石打石”和“石打铁”二种形式。

VI Series Vertical Shaft Impact Crushers, which is high-functioned equipment for making sand and shaping, is researched and produced by our corporation, absorbed with the advanced technology from Germany, and owned advanced world standards. This equipment has two types: rock-on-rock and rock-on-iron.

特点及优势:

- ◎ 破碎效率高, 具有细碎、粗磨功能;
- ◎ 结构简单, 安装、维修方便, 运行成本低;
- ◎ 产品粒形优异, 呈立方体, 针片状含量极低, 适宜骨料整形、人工制砂及高等级公路骨料生产;



Features and Benefits

- ◎ High efficiency of crushing, has the function of fine crushing and rough grinding;
- ◎ Simple structure, easy to set up and repair, low cost in operation.
- ◎ Excellent shape of product, mainly the product shape is cubic with small fraction of elongated flaky particle shape, suitable for aggregate shaping, manufactured sand.

技术参数 Technical Data

型号 Model	最大入料粒度 Max Feed Size(mm)	叶轮转速 Speed of Rotor(r/min)	通过量 Capacity(t/h)	电机功率 Motor Power(kw)	外型尺寸 Dimensions(LxWxH)(mm)	重量 Weight(kg)
VI-3000	45(70)	1760-2210	30-60	55-90	3080 × 1757 × 2126	≤5555
VI-4000	55(70)	1550-1940	50-90	110-150	4100 × 1930 × 2166	≤7020
VI-5000	65(80)	1330-1670	80-150	150-220	4300 × 2215 × 2427	≤11650
VI-6000	70(80)	1190-1490	120-250	220-320	5300 × 2728 × 2773	≤15100
VI-7000	70(80)	1050-1310	180-350	264-400	5300 × 2728 × 2863	≤17090
VI-8000 II	80(120)	940-1170	320-600	440-630	6000 × 3022 × 3425	≤24610

- 注:** 1. 上述生产能力是在破碎中硬及以下物料且堆积密度为 $1.6 \times 10^3 \text{kg/m}^3$ 时开路循环生产中的总吨数。生产能力与破碎物料的物料性能、给料方式、进料粒度及其组成有关。
 2. 括号内数值适用于低腐蚀性物料。
 3. 液压开盖和自动润滑装置为选装配置。

- Note:** 1. The capacity is total tons per hour passing through crusher at open circuit when crushing medium and below hardness material and bulk density with $1.6 \times 10^3 \text{kg/m}^3$. Capacities are relative to physical character and type of feeding, feeding size and composition and so on.
 2. The number in the brackets is applicable to low abrasive material.
 3. Hydraulic decap and automatic lubricating device are optional configuration.



总公司：山德技术（北京）有限公司
SHANDE TECHNOLOGY (BEIJING) CO., LTD.

郑州一帆机械设备有限公司
地址：中国郑州市荥阳开发区郑源路
邮编：450100
电话：0371-6462 7000 6462 6911
传真：0371-6460 6468
免费咨询电话：400-665-6688
网址：www.yfmac.com
E-mail: yifan@yfmac.com

ZHENGZHOU YIFAN MACHINERY CO., LTD.
Add:Zhengyuan Rd,Xingyang,Zhengzhou Henan 450100,China
Tel:+86 371 64628852
Fax:+86 371 64628872
Website: www.yfcrusher.com
E-mail: sales@yfmac.com

我们的产品在不断更新和改进中，一帆保留在未事先告知的情况下，更改参数及设计的权利。

Our products are constantly updated and improved. YIFAN reserves the right to modify parameters and design without notice.

照片中产品外观颜色与实际机型存在差异，颜色标准以实物为准。

In the photo products' color and appearance might have differences from the actual models, the color need to be subject to the real object.

本手册中的配置不一定是出厂标准配置，购买时请详细咨询我们。

The configuration in this manual are not necessarily the Ex-factory standard, please consult with us before purchasing.